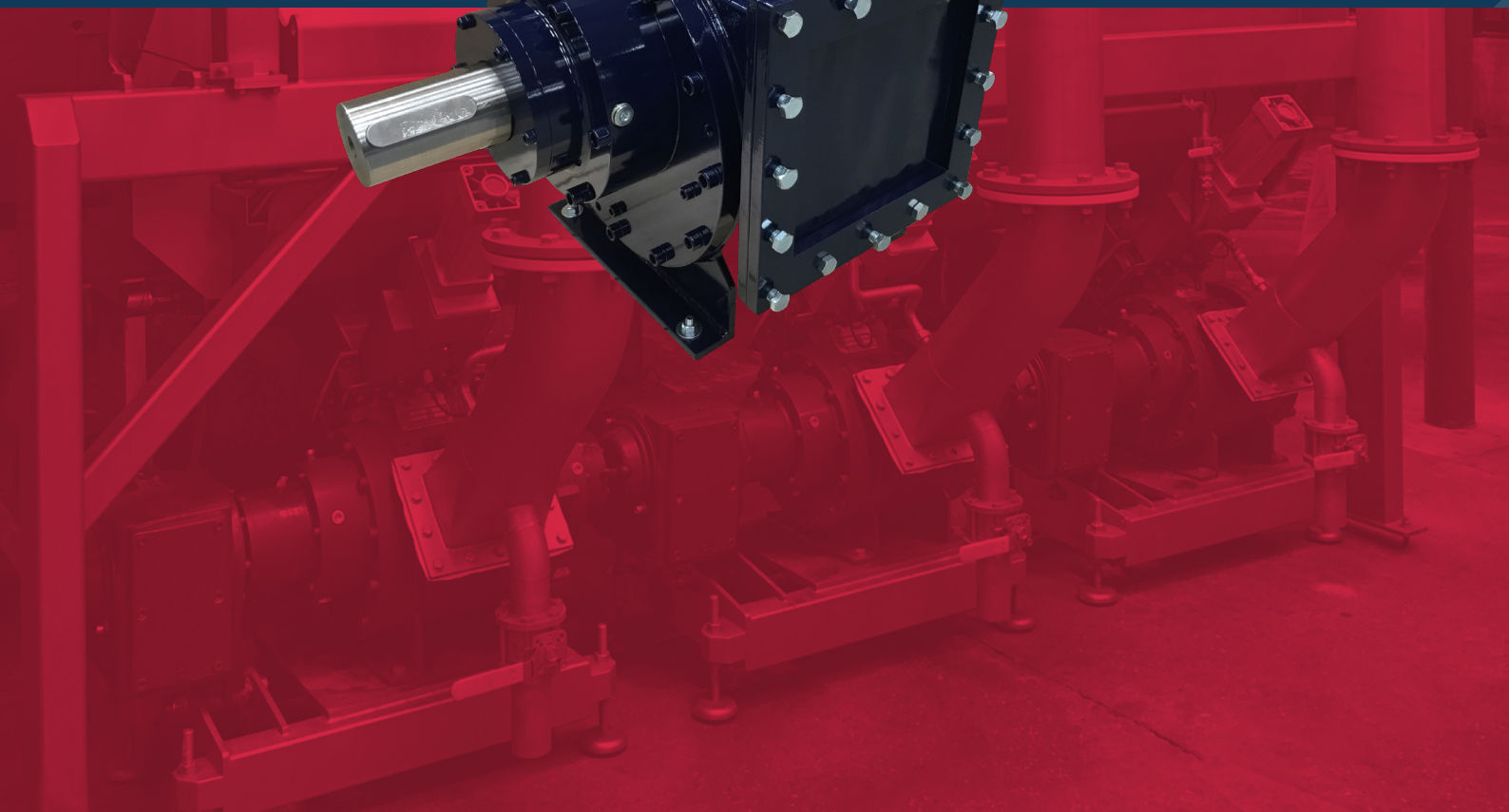
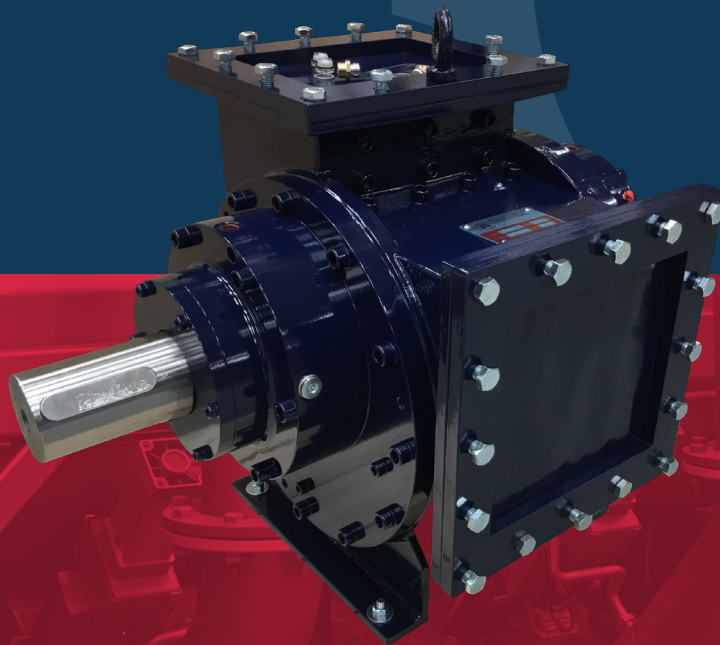




# JS Lamella Pump

The JS Lamella Pump is well known for its high quality and durability even in the toughest and most difficult environments. The pump is globally recognized and is used in many different industries.



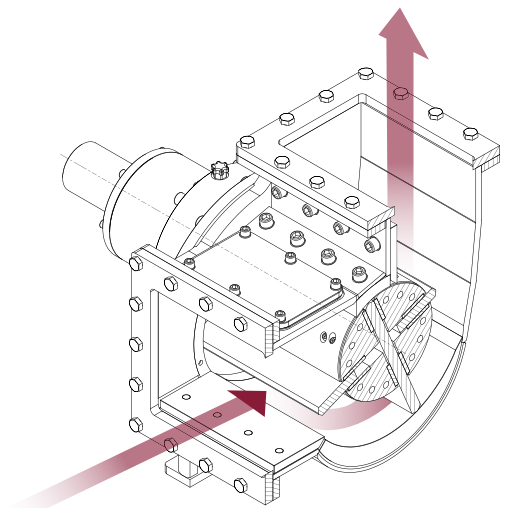
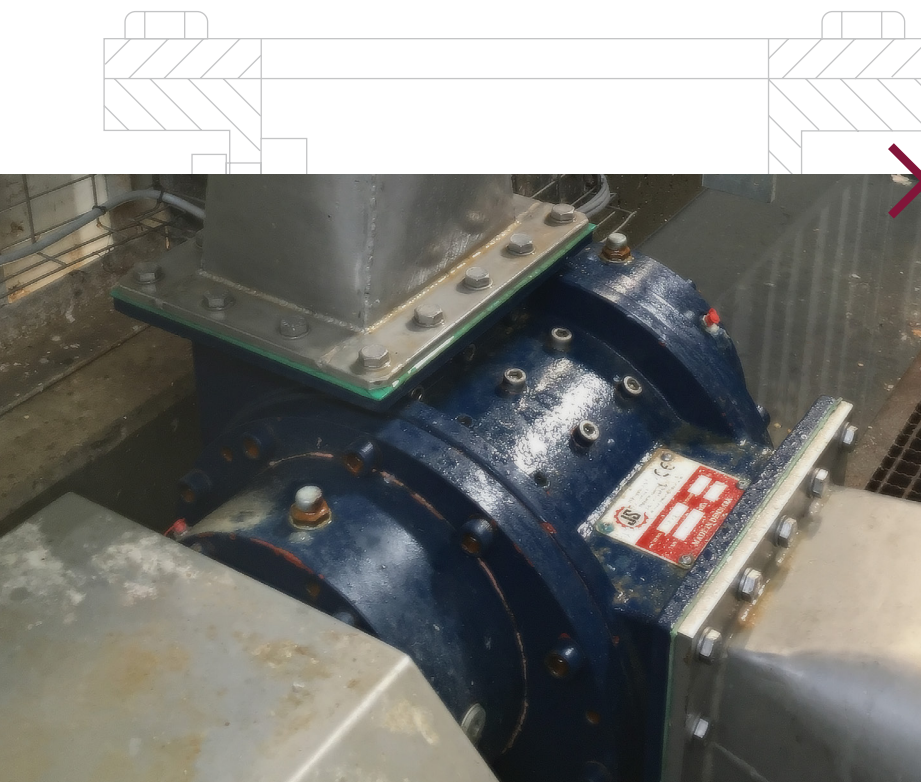
# JS Lamella Pump for the toughest applications

The JS Lamella Pump is well known for its high quality and durability even in the toughest and most difficult environments. The pump is suitable for pumping fish and cut off's, as well as animal by-products.

A proven suitability for many purposes is verified as the pump is installed in industries within fish-processing, animal rendering and pet food, as well as slaughterhouses all over the world. The pump is available in several different versions, thus enabling a perfect fit to your specific production needs.

The unique construction of the JS lamella pump enables it to pump large and hard particles such as bones, tissues and fat. This makes it possible to pump an inhomogeneous product over long distances. One of several advantages is to keep the product in a closed pipe system which reduces hygienic problems and odors.

Because of the pump's compact design and ability to pump in a closed pipe system, the JS Lamella Pump replaces other systems such as screw conveyors, progressive cavity pumps, pressure tanks and conveyor belts. Additionally, the pump has lower energy and maintenance costs, as well as a higher capacity. The JS Lamella Pump doesn't require any manned operation, which reduces the risk of injuries.

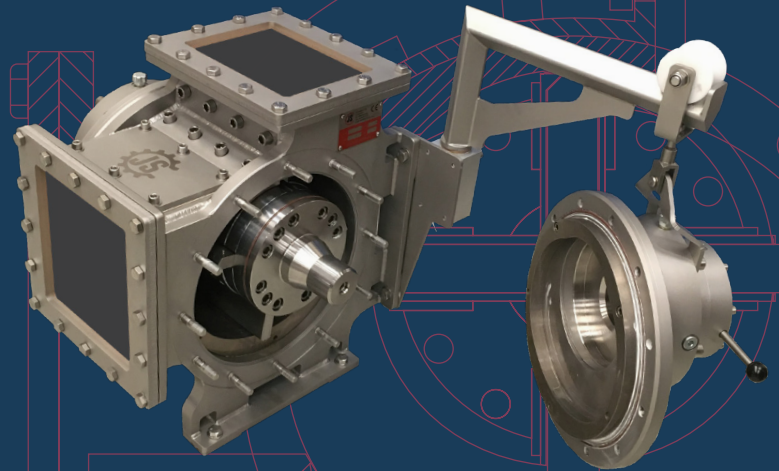


*The rotor is suspended eccentrically in the pump house. Two lamellas are placed in the rotor which creates four large pumping chambers. The lamellas are guided by the cam discs in the pump housing, thereby causing a displacement of the product.*

# When hygiene is paramount

The JS Easy Clean Lamella Pump is designed for industries where hygiene is paramount. The pumps have the same characteristics as our standard pumps, but with the addition of a hinged side cover. This allows one side of the pump to be opened, which makes it easily accessible for cleaning and inspection.

JS Propotec A/S offers all varieties of the pump in stainless steel for industries with higher demands and standards. In accordance with Regulation EN 1935/2004, we also supply pumps made in food contact materials.



## Quality & Development

The lamella pump is originally developed by JS Propotec A/S. Many years of development with functionality and quality, has made JS the leading manufacturer of the Lamella pump.

All our pumps are designed and manufactured at our own factory in Denmark. Every pump is based on our high standards for quality and durability. Often the development is in cooperation with our customers, as we are open and ready for innovative solutions.

We acknowledge the reliability of the pumps as a crucial factor in our customer's production line, hence JS Propotec A/S never compromises on quality. The pumps are manufactured in high quality tool steel, thereby achieving a very high resistance to wear. The pump can be supplied with hardened steel parts for the toughest applications.

The design of the pump allows every single part to be replaced, rather than whole sections of the pump. All spare parts are produced locally, and JS offers full renovation of the pumps at our factory in Denmark.





**JS Proputec A/S**

Hvidevold 1  
9800 Hjørring  
Denmark

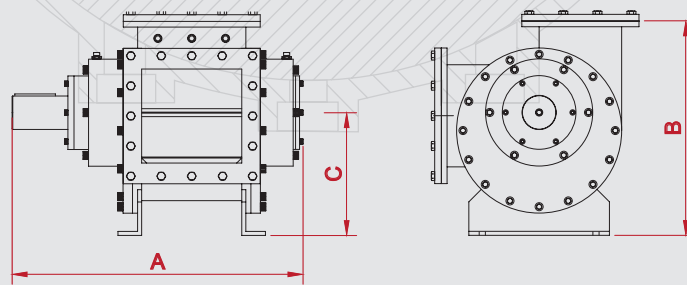
Tlf. 98 90 35 66

info@jsproputec.com  
www.jsproputec.com

# Technical specifications

The JS lamella pump is available in different standard sizes. Below you will find technical specifications for each model and size.

If any questions should occur of technical matters or in accordance to applications, please contact our sales team. We're only one call away.



	<b>150/45</b>	<b>200/60</b>	<b>250/70</b>	<b>350/90</b>	<b>400/115</b>	<b>450/140</b>
Capacity (m <sup>3</sup> /t)	2-10	5-20	10-30	20-70	30-120	50-200
Filing	0,75	0,75	0,75	0,75	0,75	0,75
Max. Recommended Operational Pressure (bar)	10	10	10	10	10	10
Max Design Pressure (bar)	15	15	15	15	15	15
Pipe length (meter)	1-300	1-300	1-300	1-300	1-300	1-300
Pipe connections (Ø mm)	100	150	200	250	300	350
Length (mm) A	530	629	670	860	964	969
Total height (mm) B	375	468	500	640	801	785
Centre height (mm) C	221	283	304	367	445	495
Flange inlet outside (mm)	186x200	236x240	306x260	405x405	460x444	534x484
Flange inlet inside (mm)	106x120	156x160	206x160	296x281	336x320	384x334
Flange outlet outside (mm)	186x200	236x240	306x260	405x350	460x404	534x460
Flange outlet inside (mm)	106x120	156x160	206x160	296x223	336x280	384x310
Weight (Kg)	110	220	320	570	860	1,050